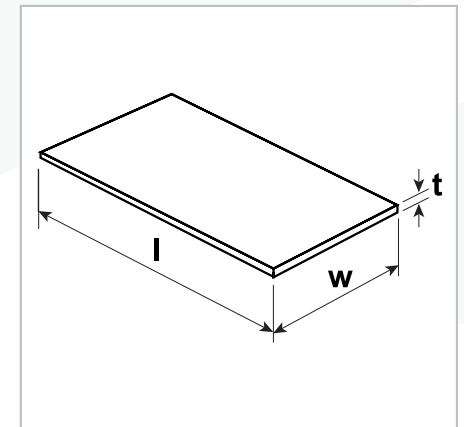


# PLATE PRODUCTS REFERENCE GUIDE: QUENCH & TEMPERED PLATE (Q&T) - 400 GRADE

Designation	Weight	Thickness t	Width w	Length l	Designation	Weight	Thickness t	Width w	Length l
	kg/m <sup>2</sup>	mm	mm	mm		kg/m <sup>2</sup>	mm	mm	mm
1525x8000	47.10	6	1525	8000	2485x8000	196.25	25	2485	8000
2485x8000	47.10	6	2485	8000	3100x8000	196.25	25	3100	8000
2485x8000	62.80	8	2485	8000	2485x8000	251.20	32	2485	8000
2485x8000	78.50	10	2485	8000	2485x8000	314.00	40	2485	8000
3100x8000	78.50	10	3100	8000	2485x8000	392.50	50	2485	8000
2485x8000	94.20	12	2485	8000	2485x6000	471.00	60	2485	6000
3100x8000	94.20	12	3100	8000	2000x6000	549.50	70	2000	6000
2485x8000	125.60	16	2485	8000	2000x6000	588.75	75	2000	6000
3100x8000	125.60	16	3100	8000	2000x6000	628.00	80	2000	6000
2485x8000	157.00	20	2485	8000	2000x6000	706.50	90	2000	6000
3100x8000	157.00	20	3100	8000	2000x6000	785.00	100	2000	6000



- Manufactured to manufacturers own internal specifications.