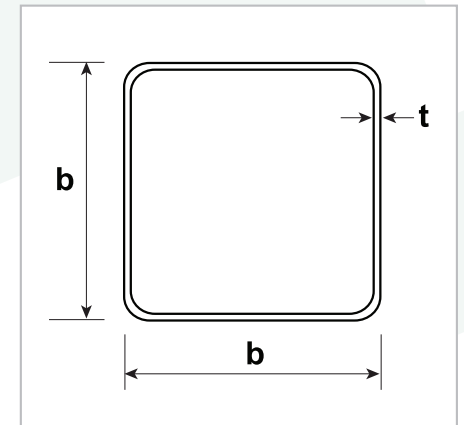


STRUCTURAL TUBE & PIPE REFERENCE GUIDE: SQUARE HOLLOW SECTION (SHS)

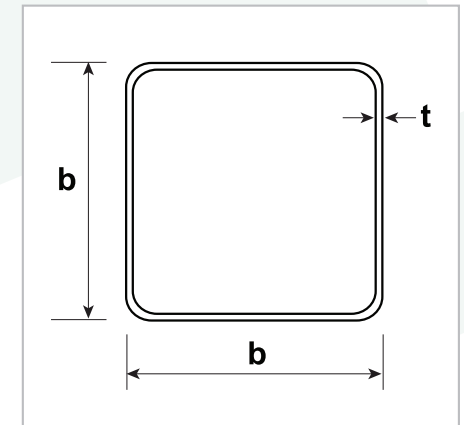
| Size bxb | Nom. Thick t | Nom.Linear Mass | Surface Area | Quantity | Surface Finish | |
|--------------------------------|-----------------|--------------------|-------------------|----------|----------------|------------|
| | | | | | Painted | Galvanised |
| mm | mm | kg/m | m ² /m | per pack | | |
| 6500mm Lengths Standard | | | | | | |
| 20x20 | 1.6 | 0.87 | 0.0745 | 100 | * | * |
| | 2.0 | 1.05 | 0.0800 | 100 | * | * |
| 25x25 | 1.6 | 1.12 | 0.0945 | 100 | * | * |
| | 2.0 | 1.36 | 0.0931 | 100 | * | * |
| | 2.5 | 1.64 | 0.0914 | 100 | * | * |
| | 3.0 | 1.89 | 0.0897 | 100 | * | * |
| 8000mm Lengths Standard | | | | | | |
| 30x30 | 1.6 | 1.38 | 0.115 | 100 | * | * |
| | 2.0 | 1.68 | 0.113 | 100 | * | * |
| | 2.5 | 2.03 | 0.111 | 100 | * | * |
| | 3.0 | 2.36 | 0.110 | 64 | * | * |
| 35x35 | 1.6 | 1.63 | 0.135 | 100 | * | * |
| | 2.0 | 1.99 | 0.133 | 100 | * | * |
| | 2.5 | 2.42 | 0.131 | 64 | * | * |
| | 3.0 | 2.83 | 0.130 | 64 | * | * |
| 40x40 | 1.6 | 1.88 | 0.155 | 81 | * | * |
| | 2.0 | 2.31 | 0.153 | 81 | * | * |
| | 2.5 | 2.82 | 0.151 | 64 | * | * |
| | 3.0 | 3.30 | 0.150 | 64 | * | * |
| | 4.0 | 4.09 | 0.143 | 49 | * | * |
| 50x50 | 1.6 | 2.38 | 0.195 | 64 | * | * |
| | 2.0 | 2.93 | 0.193 | 64 | * | * |
| | 2.5 | 3.60 | 0.191 | 49 | * | * |
| | 3.0 | 4.25 | 0.190 | 49 | * | * |
| | 4.0 | 5.35 | 0.183 | 36 | * | * |



- Manufactured in accordance with the requirements of Australian Standard AS/NZS 1163:2009 in Grade C350.
- Grade C450 and L0 available on request.
- Comes standard in black with option for painted or galvanised.

STRUCTURAL TUBE & PIPE REFERENCE GUIDE: SQUARE HOLLOW SECTION (SHS)

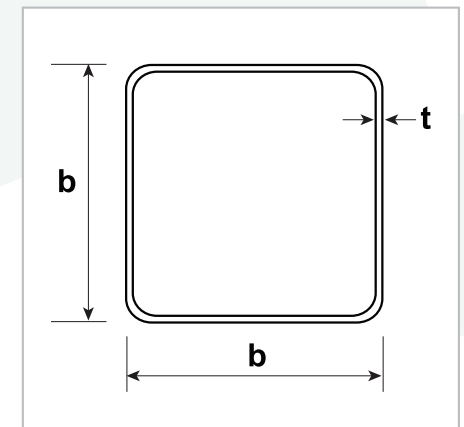
| Size dxb | Nom. Thick t | Nom.Linear Mass | Surface Area | 8m Lengths | 12m Lengths | Surface Finish | |
|-------------|-----------------|--------------------|--------------|------------|-------------|----------------|----|
| | | | | | | mm | mm |
| 50x50 | 5.0 | 6.39 | 0.179 | 30 | - | * | * |
| | 6.0 | 7.32 | 0.174 | 25 | - | Oiled | |
| 65x65 | 1.6 | 3.13 | 0.255 | 49 | - | | * |
| | 2.0 | 3.88 | 0.253 | 42 | - | * | * |
| | 2.5 | 4.78 | 0.251 | 42 | - | * | * |
| | 3.0 | 5.66 | 0.250 | 36 | - | * | * |
| | 4.0 | 7.23 | 0.243 | 30 | - | * | * |
| | 5.0 | 8.75 | 0.239 | 25 | - | * | * |
| | 6.0 | 10.20 | 0.234 | 20 | - | * | |
| 75x75 | 2.0 | 4.50 | 0.293 | 36 | - | * | * |
| | 2.5 | 5.56 | 0.291 | 30 | - | * | * |
| | 3.0 | 6.60 | 0.290 | 30 | 25 | * | * |
| | 3.5 | 7.53 | 0.285 | 25 | - | * | * |
| | 4.0 | 8.49 | 0.283 | 25 | 15 | * | * |
| | 5.0 | 10.30 | 0.279 | 20 | 16 | * | * |
| | 6.0 | 12.00 | 0.274 | 16 | 12 | * | * |
| 89x89 | 2.0 | 5.38 | 0.348 | 20 | - | * | * |
| | 3.5 | 9.07 | 0.341 | 20 | 16 | * | * |
| | 5.0 | 12.50 | 0.334 | 16 | 12 | * | * |
| | 6.0 | 14.70 | 0.330 | 12 | 9 | * | * |
| 100x100 | 2.0 | 6.07 | 0.393 | 20 | - | * | * |
| | 3.0 | 8.96 | 0.390 | 20 | 16 | * | * |
| | 4.0 | 11.60 | 0.383 | 16 | 12 | * | * |
| | 5.0 | 14.20 | 0.379 | 12 | 9 | * | * |
| | 6.0 | 16.70 | 0.374 | 12 | 9 | * | * |
| | 9.0 | 23.50 | 0.361 | 9 | 6 | * | |



- Manufactured in accordance with the requirements of Australian Standard AS/NZS 1163:2009 in Grade C350.
- Grade C450 and L0 available on request.
- Comes standard in black with option for painted or galvanised.

STRUCTURAL TUBE & PIPE REFERENCE GUIDE: SQUARE HOLLOW SECTION (SHS)

| Size dxb | Nom. Thick t | Nom.Linear Mass | Surface Area | 8m Lengths | 12m Lengths | Surface Finish | |
|-------------|-----------------|--------------------|--------------|------------|-------------|----------------|----|
| | | | | | | mm | mm |
| 125x125 | 4.0 | 14.80 | 0.483 | 12 | 9 | * | * |
| | 5.0 | 18.20 | 0.479 | 12 | 9 | * | * |
| | 6.0 | 21.40 | 0.474 | 9 | 6 | * | |
| | 9.0 | 30.60 | 0.461 | 8 | 4 | * | |
| 150x150 | 5.0 | 22.10 | 0.579 | 9 | 6 | * | |
| | 6.0 | 26.20 | 0.574 | 6 | 6 | * | |
| | 9.0 | 37.70 | 0.561 | 6 | 4 | * | |
| 200x200 | 5.0 | 29.90 | 0.779 | 6 | 4 | * | |
| | 6.0 | 35.60 | 0.774 | 6 | 4 | * | |
| | 9.0 | 51.80 | 0.761 | 4 | 2 | * | |
| | 12.5 | 69.40 | 0.768 | - | 1 | * | |
| | 16.0 | 85.50 | 0.759 | - | 1 | * | |
| 250x250 | 6.0 | 45.00 | 0.974 | 4 | 2 | * | |
| | 9.0 | 65.90 | 0.961 | 2 | 2 | * | |
| | 12.5 | 89.00 | 0.968 | - | 1 | * | |
| | 16.0 | 111.00 | 0.959 | - | 1 | * | |
| 300x300 | 10 | 88.40 | 1.170 | - | 1 | * | |
| | 12.5 | 109.00 | 1.170 | - | 1 | * | |
| | 16.0 | 136.00 | 1.160 | - | 1 | * | |
| 350x350 | 10.0 | 104.00 | 1.370 | - | 1 | * | |
| | 12.5 | 128.00 | 1.370 | - | 1 | * | |
| | 16.0 | 161.00 | 1.360 | - | 1 | * | |
| 400x400 | 10.0 | 120.00 | 1.570 | - | 1 | * | |
| | 12.5 | 148.00 | 1.570 | - | 1 | * | |
| | 16.0 | 186.00 | 1.560 | - | 1 | * | |



- Manufactured in accordance with the requirements of Australian Standard AS/NZS 1163:2009 in Grade C350.
- Grade C450 and L0 available on request.
- Comes standard in black with option for painted or galvanised.